



Concrete Ping-pong table green, round

Product code: PP.R.GR

How much space does a table tennis table take up?

With a diameter of 260 cm, this round table tennis table is larger than a classic, rectangular table. Heblad's green, round table tennis table is substantial in diameter as well as in possibilities, opportunities, and in strength. Because of its shape, the playing possibilities on and around this table tennis table are endless.

How is a table tennis table made?

All Heblad table tennis tables are cast from one piece of high quality concrete, which means that the tables have a very long lifespan and are easy to maintain, while the table is left outside all year round. The table top of this round version is finished with a green two-component lacquer, and the colour white is used for the center line and net. This colour combination gives a fresh and recognizable appearance. If the green colour does not quite fit in with the environment, you can also choose the round blue ping pong table, round anthracite concrete ping pong table, round natural concrete or round anthracite.

Where are ping pong tables located?

A round ping-pong table is often the gathering place on a schoolyard, at a campsite, at a sports club or in a courtyard. To ensure that this meeting place can continue to serve as the place to meet each other and as an outdoor exercise stimulator, the specific choice of concrete is a logical one. Heblad tables are cast from one piece of concrete and equipped with top and bottom reinforcement. This makes the tables incredibly sturdy, and very easy to clean, which also improves its lifespan.

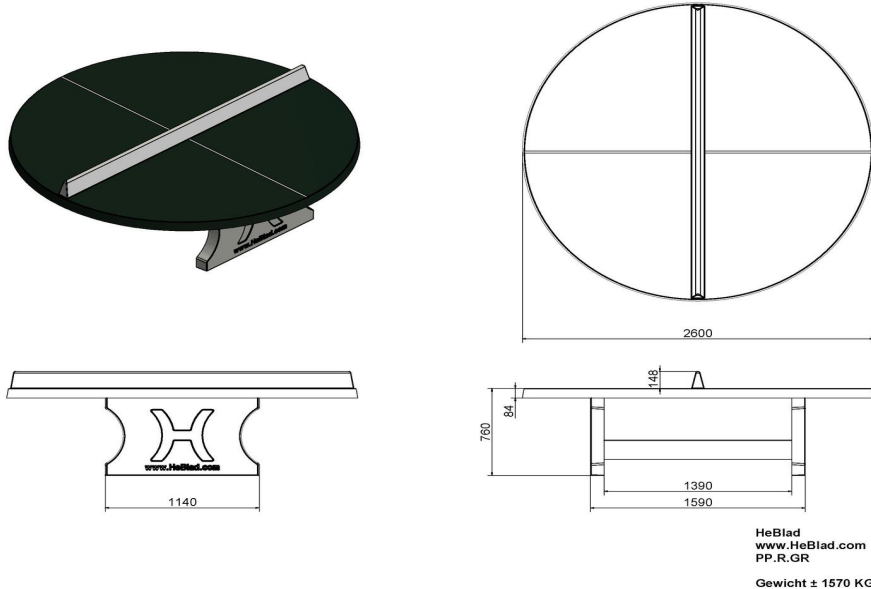
Tips for combining table tennis tables

Exercise is good for young and old! To turn the round table tennis table into a meeting place that encourages sports, placing extra tables or benches is the perfect addition. All our products are made of concrete and are intended for the outdoors. So feel free to place benches near the ping-pong table or add a picnic table. The table tennis game remains fun to play and watch. Introduce everyone to the game of ping pong and discover that exercise is fun.

Contact Heblad

We are happy to help you, please feel free to contact us. You can easily order your ping pong table, benches or other game tables on the website.

** When purchasing a Heblad ping pong table, a set of bats (4 bats and 2 balls) is included for free.



Specifications Concrete Ping-pong table green, round

Product code	PP.R.GR	Height tabletop	76 cm
Colour	Green - RAL 6009	Height of the net	14,75 cm
Dimension playing surface (L x W)	∅ 260 cm	Weight	1570 kg
Dimensions bottom of playing surface	∅ 264 cm	Distance legs	149 cm (center to center)
Tabletop thickness	8,4 cm		

Related products



PP.AR.BL



PP.NT



B.DS.SP



OP.PP



B.S1